

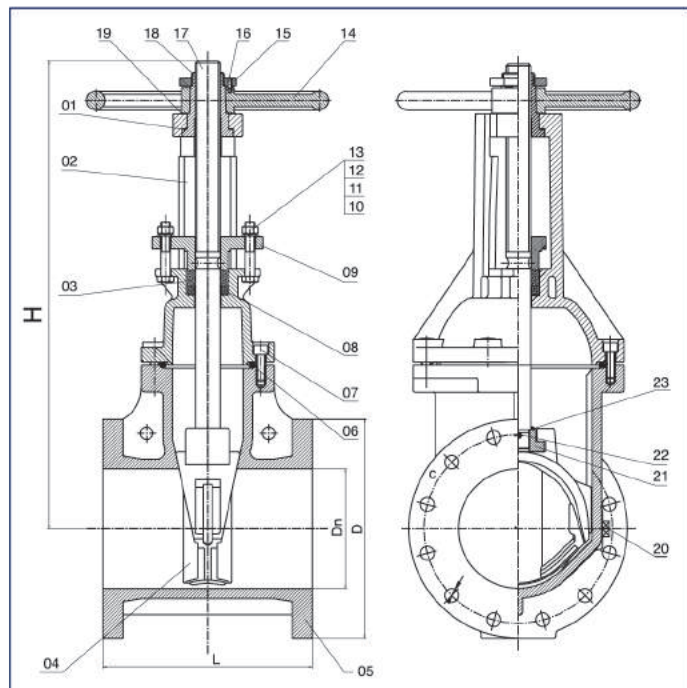
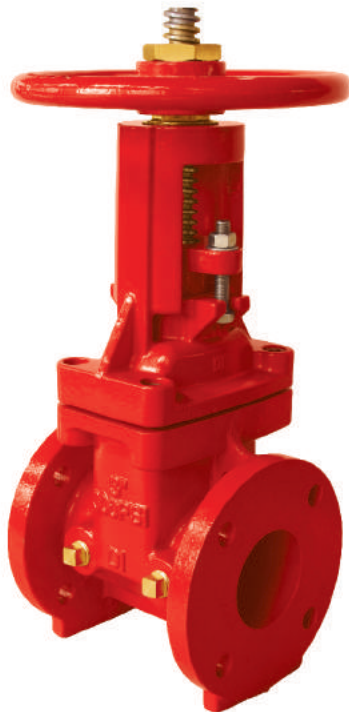
300PSI-OS&Y Type Flanged End Gate Valve,UL/ULC Listed,FM Approved

Model No.:Z41-300



Technical Specifications:

- 1.Design Standard:AWWA C515
- 2.Nominal Pressure:300PSI
- 3.Flange standard :ASME/ANSI B16.1 Class 125 or ASME/ANSI B16.42 Class 150 or BS EN1092-2 PN16 or GB/T9113.1
- 4.Epoxy resin coating both inside & outside the body



SIZE CHART

SIZE ITEM	2-1/2"	3"	4"	5"	6"	8"	10"	12"
Dn	65	80	103	128.5	155	204	255	304
L	190	203	229	254	267	292	330	356
D	178	191	229	254	279	343	406	483
H	370	420	447	547	607	754	890	1031

23	Sealing Ring	1	EPDM
22	Pin	1	S.S.304
21	Lifting Nut	1	CF8M
20	Plug	2	C95400
19	Gasket	1	C95400
18	Stem Nut	1	S.S.304
17	Stem	1	S.S.304
16	Locating Screw	1	S.S.304
15	Lock Nut	1	C95400
14	Handwheel	1	DI
13	Spring Washer	2	Steel
12	Bolt	2	Steel
11	Flat Washer	2	Steel
10	Nut	2	Steel
09	Gland	1	DI
08			
07	Bolt	m	Steel
06	Sealing Ring	1	EPDM
05	Body	1	DI
04	Disc	1	DI+EPDM
03	Packing	3	GRAPHITE
02	Bonnct	1	DI
01	Gasket	1	C95400
NO.	Name	Qty.	Material